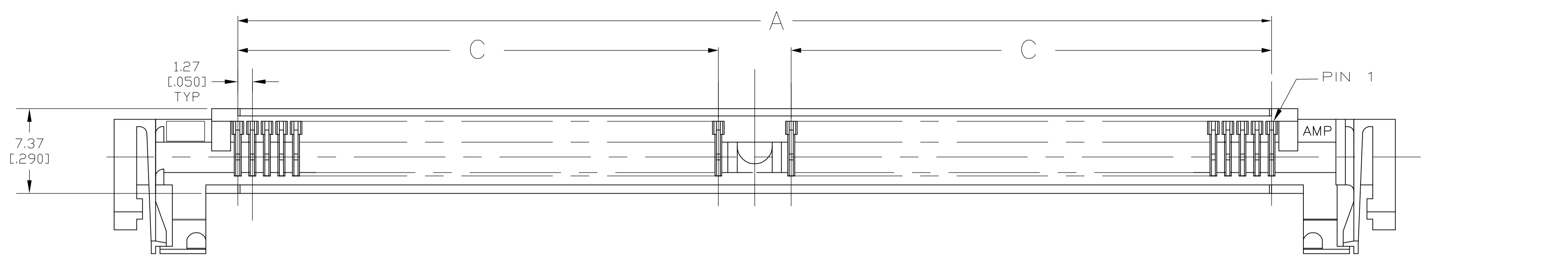
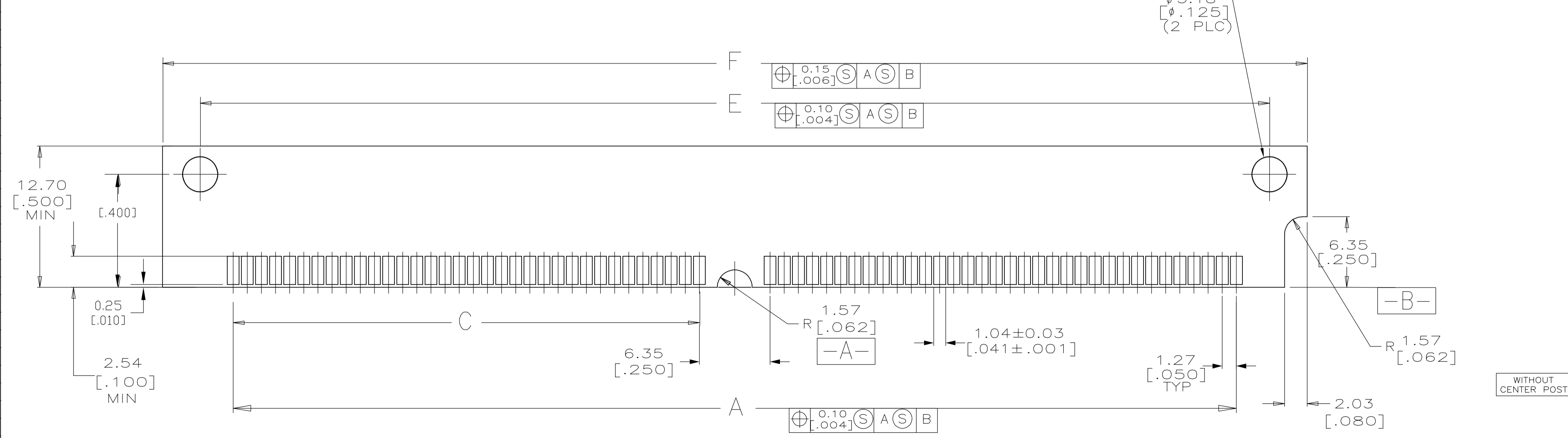
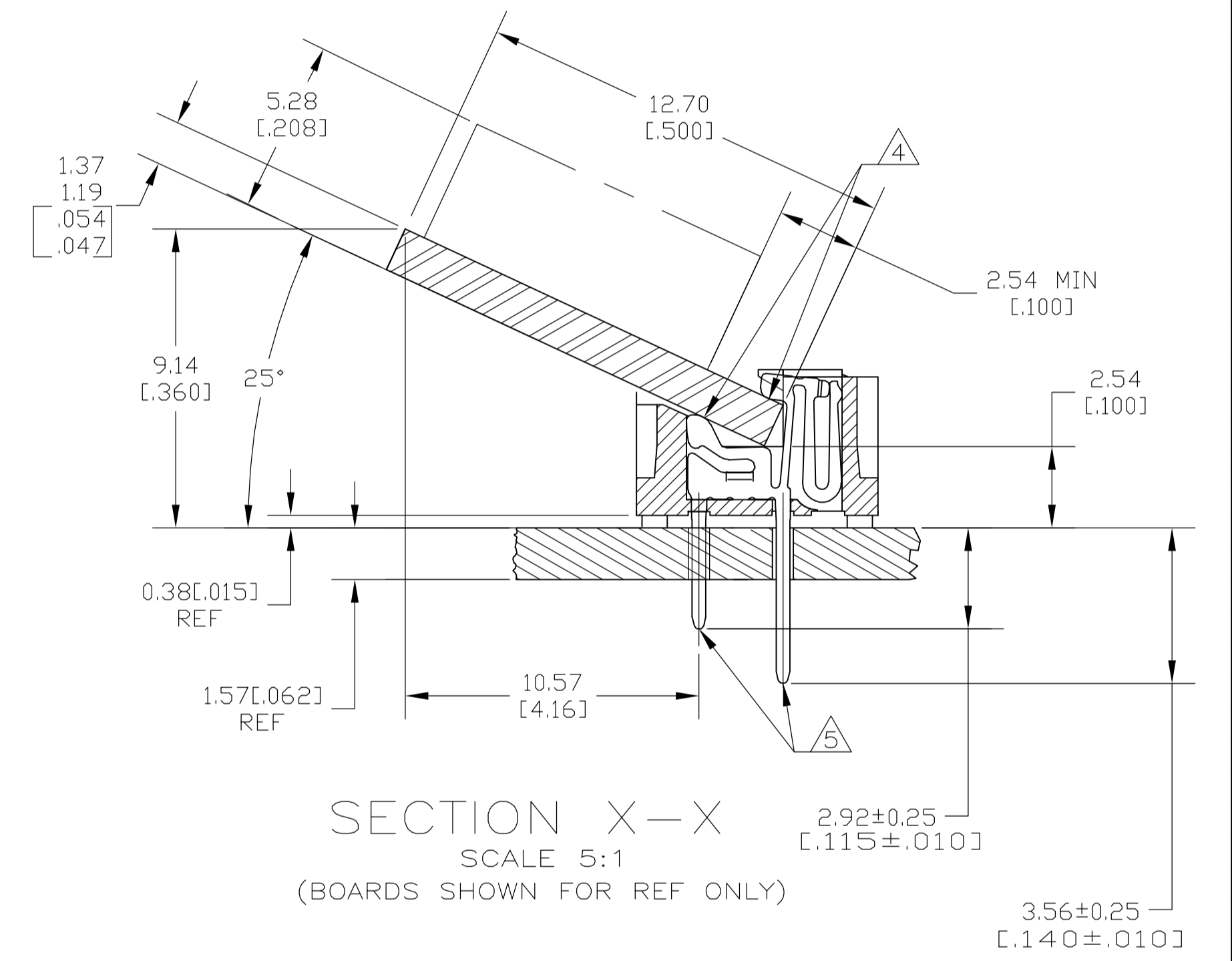
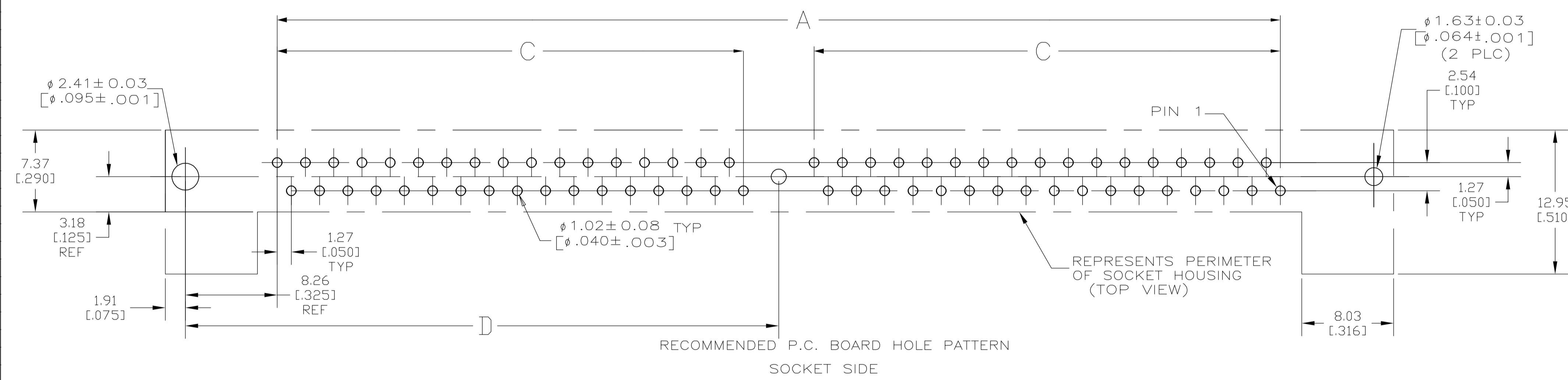
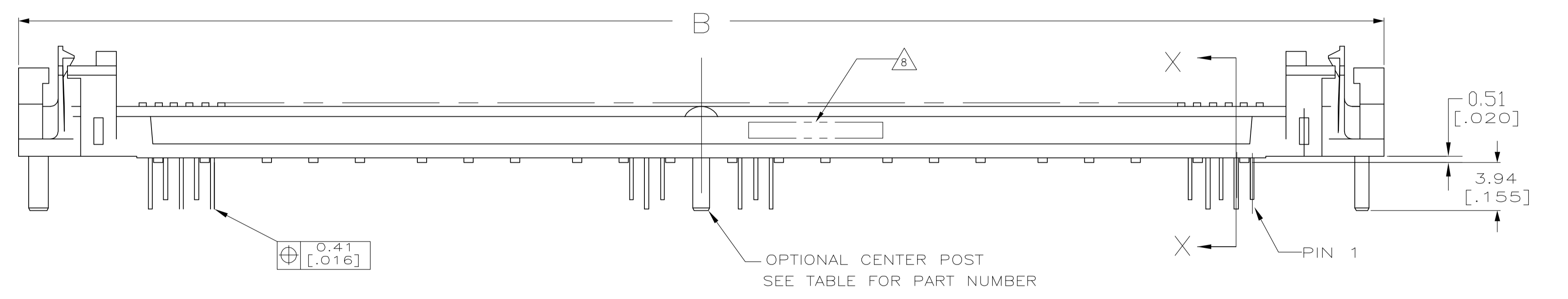


LOC		DIST		REVISIONS			
P	LTR	DESCRIPTION	DATE	DN	APVD		
C		REVISED PER ECO-06-007841	18JUL06	JDP	MB		



- △ HOUSING-MATERIAL : LIQUID-CRYSTAL-POLYMER.
- △ CONTACT-MATERIAL : PHOS. BRONZE, AMP 100-255.
- △ CONTACT-PLATE 0.00127 [.000050] MIN NICKEL ALL OVER.
- △ CONTACT-PLATE 0.00076 [.000030] MIN. GOLD AT CONTACT PTS.
- △ CONTACT SOLDER TAILS-PLATE 0.00508 [.000200] MIN MATTE TIN.
- 6. IN ADDITION TO THOSE RECOMMENDED "SIMM" P.C. BOARD DIMENSIONS AND TOLERANCES SHOWN, ALL JEDEC SPECIFICATIONS APPLY AS SHOWN ON MO-116, ISSUE A.
- 7. RECOMMENDED MATING S.I.M.M. TAB METALLURGY:
 BASE METAL-COPPER. PLATING TO BE 0.00076 [.000030] MIN GOLD OVER 0.00127 [.000050] MIN NICKEL.
- △ DATE CODE INFORMATION (YEAR WEEK), LOCATED APPROXIMATELY AS SHOWN ON OPPOSITE SIDE ONLY.



WITHOUT CENTER POST	F	E	D	C	B	A	NO OF POSN	PART NO
107.95 [4.250]	101.19 [3.984]	55.88 [2.200]	44.45 [1.750]	115.57 [4.550]	95.25 [3.750]	72	5821950-7	

THIS DRAWING IS A CONTROLLED DOCUMENT.		DIN 9138 MCMMASTER 05JAN05	 Tyco Electronics Corporation Harrisburg, PA 17105-3608
DIMENSIONS: mm [INCHES]		05JAN05 M.YEOMANS	
TOLERANCES UNLESS OTHERWISE SPECIFIED:		0 PLC ± -	PRODUCT SPEC
1 PLC ± -		1 PLC ± -	APPLICATION SPEC
2 PLC ± -		2 PLC ± -	WEIGHT
3 PLC ± 0.13 [.005]		3 PLC ± -	SIZE
4 PLC ± -		4 PLC ± -	DATE
ANGLES ± -		FINISH	SCALE
MATERIAL		FINISH	RESTRICTED TO
1 2		3 4 5	CUSTOMER DRAWING

RECOMMENDED "SIMM" P.C. BOARD